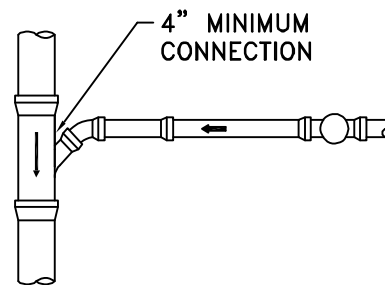
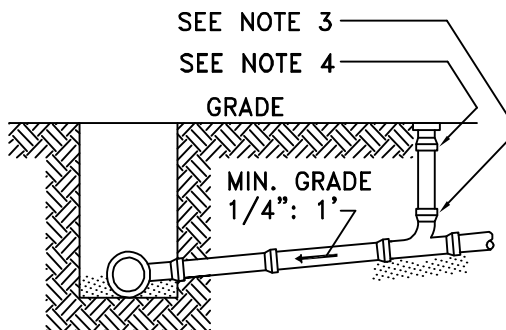


DITCH CROSSING



STANDARD SERVICE CONNECTION WITH LIMITED COVER OF 2' MIN.



STANDARD SERVICE CONNECTION WITH 45° BEND

CLEAN-OUT NOTES

1. CLEAN-OUTS SHALL BE INSTALLED AT THE PROPERTY LINE OR AT THE EDGE OF THE EASEMENT.
2. MATERIAL SHALL BE SDR-35 PVC.
3. INSTALL A "SHORT TURN TEE-WYE."
4. 4" OR 6" CAST IRON CAP WITH A RECESSED PLUG.
5. FLOWLINE OF SERVICE LATERAL PIPE SHALL BE VISIBLE WHEN PLUG IS REMOVED FOR INSPECTION.
6. CLEAN OUT ADAPTORS AND RECESS PLUGS SHALL BE CAST IRON.
7. ALL PVC MAINS AND SERVICES SHALL HAVE A MIN. OF 6" COMPACTED STONE BEDDING AND COMPACTED STONE TO THE SPRING LINE.
8. CONNECT AT BOTTOM OF CLEAN OUT STACK.
9. A MIN. 12 GAUGE TRACER WIRE SHALL BE INSTALLED ALONG THE ENTIRE SERVICE LINE AND MADE ACCESSIBLE AT THE CLEAN-OUT.

